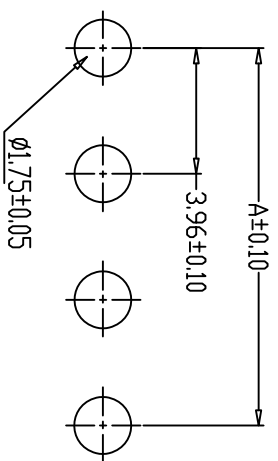
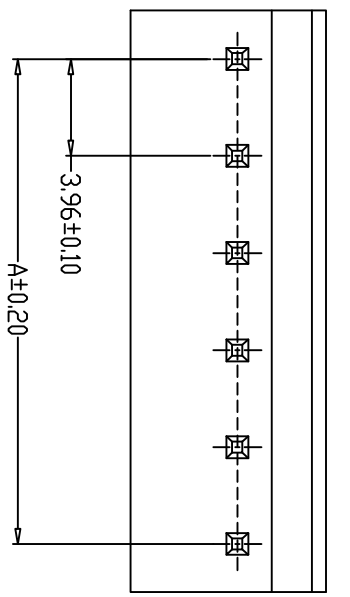
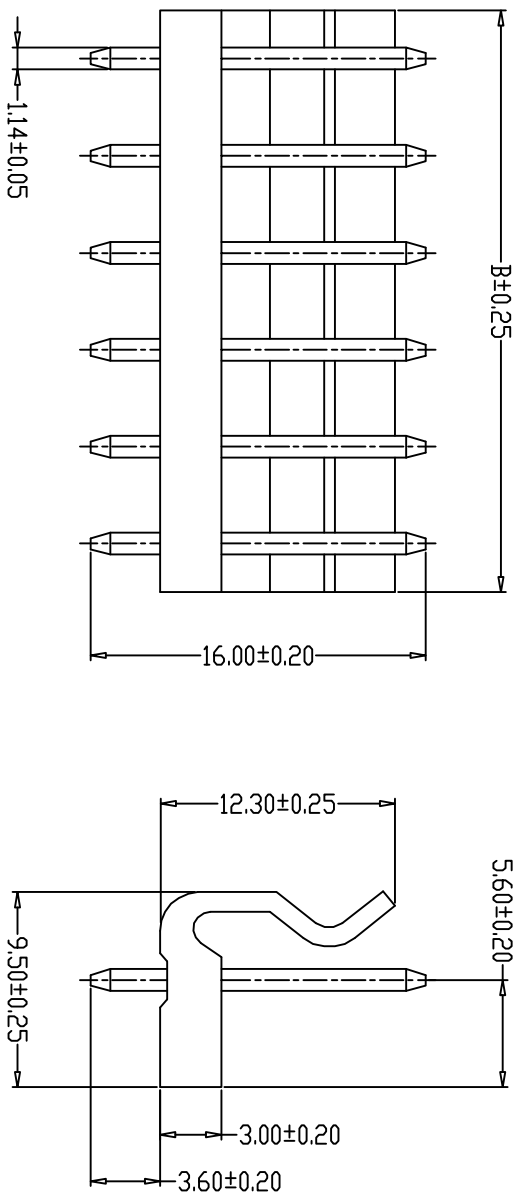


- SPECIFICATIONS**
- 1、Current Rating: 6A AC, DC
 - 2、Voltage Rating: 250V AC, DC
 - 3、Temperature Range: -25°C~+85°C
 - 4、Contact Resistance: 20mΩ Max
 - 5、Insulation Resistance: 1000MΩ Min
 - 6、Withstanding Voltage: 1500V AC/minute
 - 7、Material: Wafer Nylon66, UL94V-0
PIN Brass Tin-plated



PCB LAYOUT

编号	尺寸 (mm)	
	A	B
A3960-02A	3.96	7.92
A3960-03A	7.92	11.88
A3960-04A	11.88	15.84
A3960-05A	15.84	19.80
A3960-06A	19.80	23.76
A3960-07A	23.76	27.72
A3960-08A	27.72	31.68
A3960-09A	31.68	35.64
A3960-10A	35.64	39.60
A3960-11A	39.60	43.56
A3960-12A	43.56	47.52

单位 UNIT	mm
比例 SCALE	1:1
核准: APPROVED BY	NO
审核: CHECKED BY	1/1
制图: DRAWN BY	2022.9.1

深圳市泰华电子有限公司
TaiHua Electronics Co., Ltd

产品名称 Product Name	3.96直针 WAFER DIP TYPE
产品编号 Product No	TH-A3960-NA
客户编号 Client No	